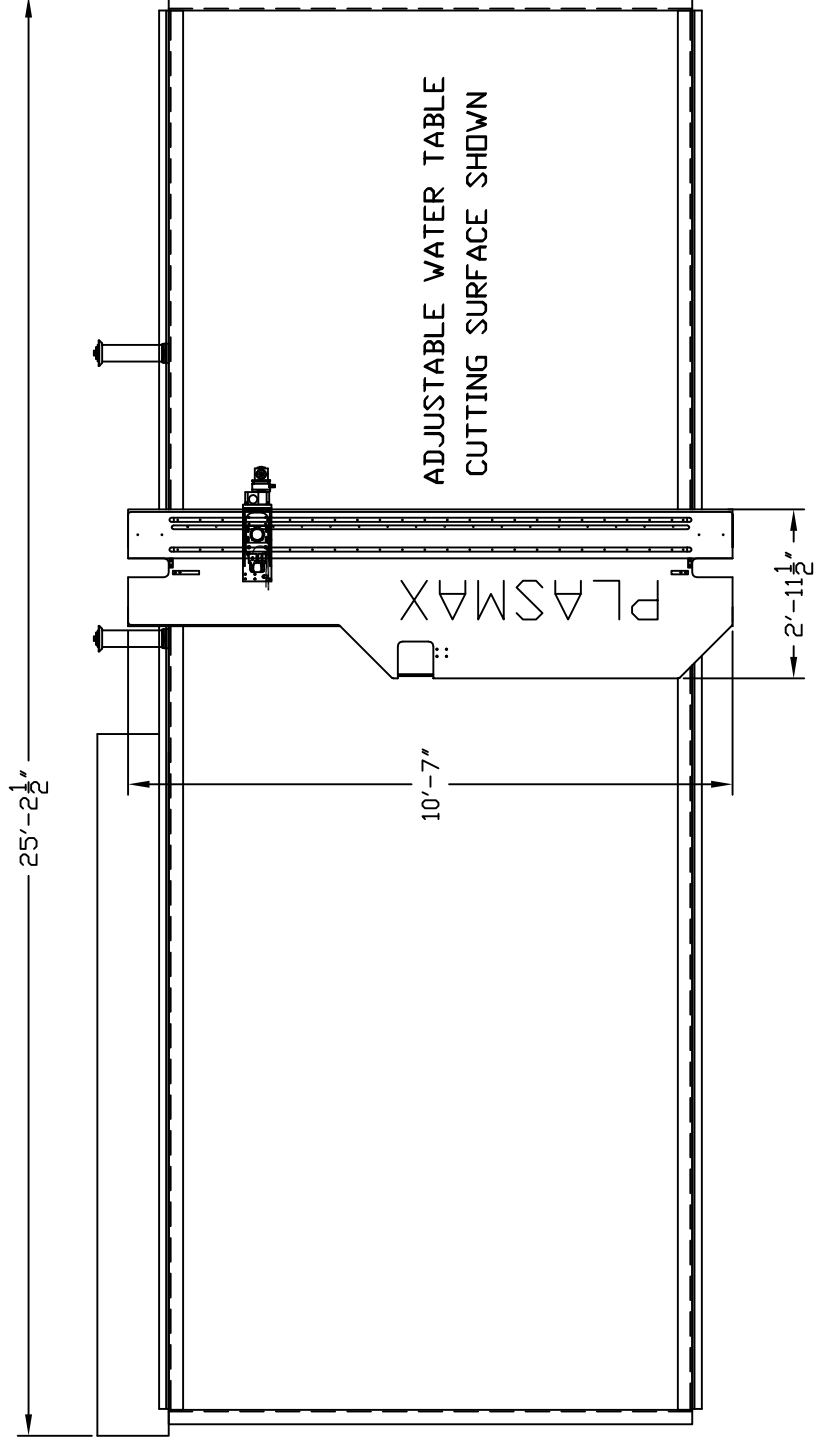
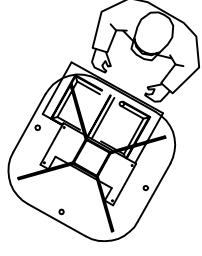
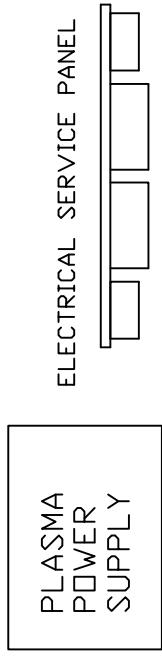


THE SERVICE PANEL AND PLASMA COMPONENTS ARE TO BE WITHIN 15' FROM THE CENTER OF THE LENGTH AXIS OF TRAVEL.

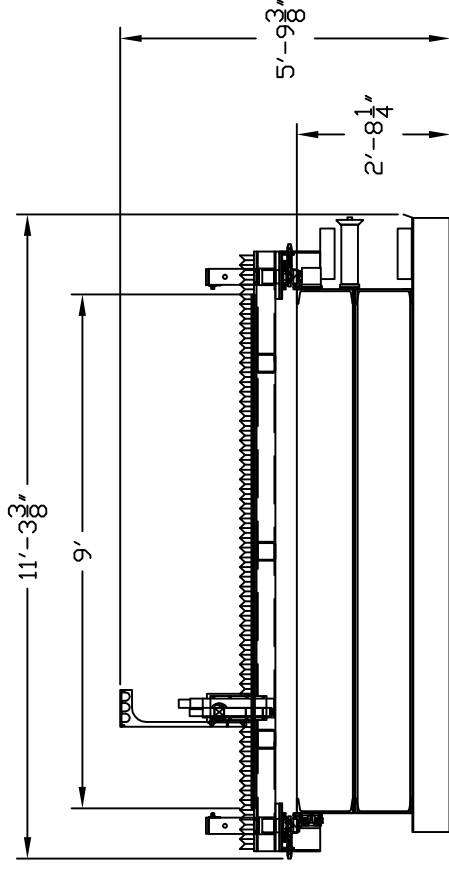
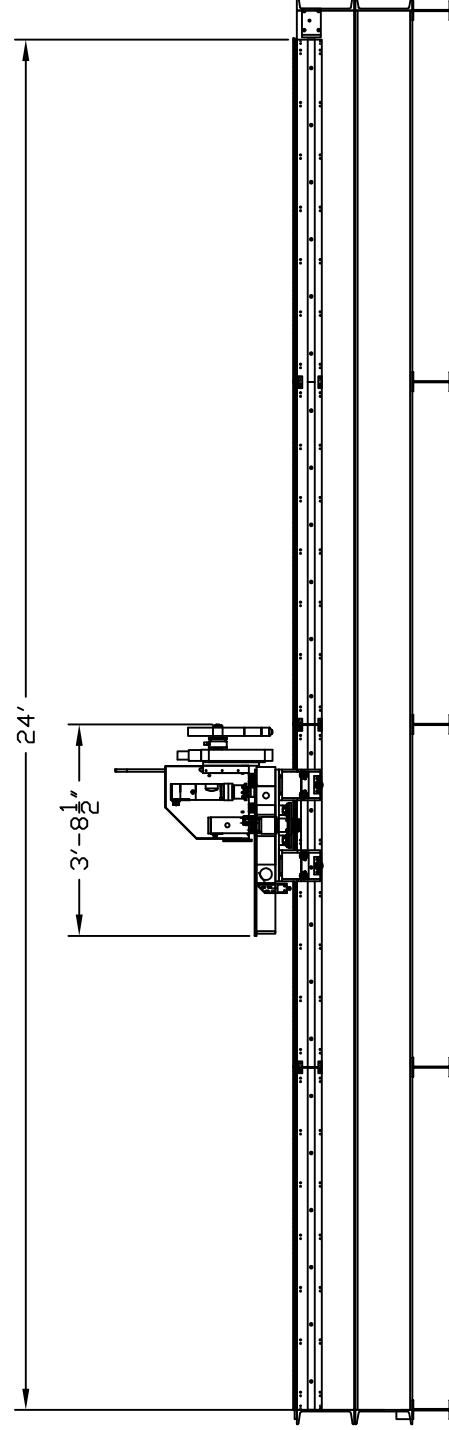


OPTIONS FOR PLASMAX INCLUDE

- PLASMA OF CHOICE & LIFTER OF CHOICE
- OXY-FUEL TORCH KIT
- DOWN DRAFT, DRY, WATER TANK, OR ADJUSTABLE WATER TABLE
- OPPOSITE HAND THAN SHOWN
- PART MARKING SYSTEM
- LENGTH TRAVELS UP TO 24'

CUSTOMERS RESPONSIBILITIES

- INSTALLATION OF ELECTRICAL PANEL
- TERMINATION OF ELECTRICAL SERVICES
- TERMINATION OF GAS SUPPLIES
- INSTALLATION OF CUTTING SURFACE



SOME DIMENSIONS ARE APPROXIMATED. DUE TO ASSEMBLY AND INSTALLATION PROCEDURES, ANY FINAL DIMENSION COULD VARY SLIGHTLY. IF FOR ANY REASON ANY DIMENSION MUST BE HELD TIGHT, THE CUSTOMER MUST NOTE IT ON THE APPROVAL.

REV	DESCRIPTION	BY	DATE	SCALE	NTS	DATE
				DRAWN BY:	JAR	4/30/08
				ISSUED BY:	JAR	4/30/08
				APPROVED:		
				APPROVED:		
				REF. DWG.		

WARNING: THE INFORMATION ON THIS DRAWING IS PROPRIETARY TO CONTROLLED AUTOMATION, INC AND MAY NOT BE DUPLICATED OR TRANSFERRED WITHOUT CONSENT		CONTROLLED AUTOMATION, INC.	BRYANT, ARKANSAS
		PLASMAX GENERAL LAYOUT	
		8' X 20' MACHINE	
		JOB NUMBER	FLOPPY
		DRAWING NUMBER	REF:
		SALES LAYOUT	